



SINCE 1978
APEX CONNECTOR

APEX

WATER PROOF CONNECTORS

PRODUCT CATALOG *013*



 IP65  IP67  IP68

錫鋼精密科技

APEX PRECISION TECHNOLOGY CORP. 100% Made In Taiwan

M8 Series



	M-631/M-641/ M-642 ◆ -PML	8
	M-631/M-641/ M-642 ◆ -PMD	8
	M-631/M-641/ M-642 ◆ -PMP	8
	M-631/M-641/ M-642 ◆ -PM	8
	M-641 ◆ -RM	8
	M-631/M-641/ M-642 ◆ -PF	8
	M-631/M-641/ M-642 ◆ -PFL	8
	M-631/M-641/ M-642 ◆ -LPFL	8
	M-631/M-641/ M-642 ◆ -RFL	8
	M-641 ◆ -PFA-R	8

M8 Series



	WA-637 A	9
------------------------------------------------------------------------------------	----------	---

M61 Series



	M-61 ◆ R	10
	M-61 ◆ RA	10
	M-61 ◆ RL	10
	M-61 ◆ A	10
	M-61 ◆ DL	10
	M-61 ◆ E	10

M12 Series



	M-D62 ◆ E D-CODE	11
--------------------------------------------------------------------------------------	---------------------	----

SHELL: ZINC DIE-CASTING
(鋅合金壓鑄)

M12 Series



	M12 Series Straight Cable Ass'y M-62 ◆ PFL	12
	M12 Series Straight Cable Ass'y M-62 ◆ PML	12
	M12 Series Straight Cable Ass'y M-62 ◆ PFGL	12
	M12 Series Straight Cable Ass'y M-62 ◆ PMGL	12
	M12 Series Straight Cable Ass'y M-62 ◆ PF	12
	M12 Series Straight Cable Ass'y M-62 ◆ PM	12
	M12 Series Right Angle Cable Ass'y M-62 ◆ LPFL	13
	M12 Series Right Angle Cable Ass'y M-62 ◆ LPML	13
	M12 Series Right Angle Cable Ass'y M-62 ◆ A-LPFL	13
	M12 Series Right Angle Cable Ass'y M-62 ◆ A-LPML	13

M12 Series



	M12 Series Receptacle Female M-62 ◆ -RF	14
	M12 Series Receptacle Female M-62 ◆ -RFA	14
	M12 Series Receptacle Female M-62-RCa-R	14
	M12 Series Receptacle Female M-62 ◆ -RFB	14
	M12 Series Receptacle Female M-62 ◆ -RFC	14
	M12 Series Receptacle Male M-62 ◆ RM	15
	M12 Series Receptacle Male M-62 ◆ RMA	15
	M12 Series Receptacle Female M-62 ◆ A-GP	15
	M12 Series Receptacle Male M-62 ◆ RMB	15
	M12 Series Receptacle Male M-62 ◆ RMC	15

M12 Series

IP67

	M12 Series Receptacle Male M-62 ◆ RMD	16
	M12 Series Receptacle Male M-62 ◆ RME	16
	M12 Series Receptacle Male M-624/626 ◆ RME	16
	M12 Series Receptacle Male M-625/628 ◆ RME	16
	M12 Series Receptacle Male M-62 ◆ RMS	16
	M-62 ◆ SP-PF-R	17
	M-62 ◆ SP-PM-R	17
	M-624SPA-PF-R	17
	M-623T5-AD-R	18
	M-623A-PF	18

SHELL: STAINLESS STEEL (不鏽鋼)

654 Series

IP67

	WA-782A-R	19
	M-655-RM	19
	M-654-RFO	19

WPS Series

IP67

	AMS3126A	PAT	21
	WPS3112E	PAT	21

WPM Series

IP67
IP68

	WPM06B-9-16S	22
	WPM06B-9-16P	22
	WPM16A11-6PL	23

WPM Series



	IP67	WPM16A11-6R	23
	IP67	WPM16A11-6R-R	23
	IP67	WPM16C12- S	24
	IP67	WPM16C12- P	24
	IP67	WPM19 -RCa-R	25
	IP67	WPM19 -PM WPM19 -PF	25
	IP67	WPM19 -RF WPM19 -RM	25
	IP67	WPM19 -SPM	26
	IP67	WPM19 -SPF	26
	IP67	WPM20 -RCa-R	27

WPM Series



	IP67	WPM20 -PM WPM20 -PF	27
	IP67	WPM20 -RF WPM20 -RM	27
	IP67	WPM20 -SPM	28
	IP67	WPM20 -SPF	28
	IP67	WPM21 -RF	29
	IP67	WPM21 -PM	29
	IP68	WPM21 -PL	30
	IP68	WPM21 -P	30
	IP68	WPM21 -R	30
	IP67	WPM-223-PML	31

WPM Series



	IP67 PAT	WPM-223-PM	31
	IP67 PAT	WPM-223-PMA	31
	IP67 PAT	WPM-223-RF	31
	IP67 PAT	WPM-223-RFA	31
	IP67	WPM-305A-RF	32
	IP67	WPM-305A-RM	32

WA Series



	IP67	WA-715A	33
	IP67	WA-738A	34
	IP67	WA-188A	34

PLP Series



	IP65	PLP-123-P9 (D-SUB)	35
	IP67 PAT	PLP-138P8A-R PLP-138R8A-R (RJ-45)	36
	IP67 PAT	PLP-138AD8A-R (RJ-45)	37

PLS Series



	IP67	PLS-28 \diamond -RMA PLS-28 \diamond -PFA SHELL: STAINLESS STEEL (不鏽鋼)	38
--------------------------------------------------------------------------------------	-------------	----------------------------------------------------------------------------------	----

WPS Series



	IP67	WPS-2407-LF WPS-2407-SF	39
	IP67	WPS-2407-LM WPS-2407-SM	39

N Series



	IP67 PAT	N-301P-SXGT	40
--------------------------------------------------------------------------------------	------------------------	-------------	----



- IEC/EN 60529 為現今國際上最常引用作為產品外殼機構保護等級的規範，故也稱為“國際保護等級，IP Code”。
- 業界常用之同等標準：JIS C0920/ CNS 14165
 - 》IP Code 的意義，例 IP 54CH
 - 第一個特色數字碼(2): 可以是 0,1,2,3,4,5,6 or X，代表防止固態異物進入(防塵)和危險零件碰觸的能力等級，X 表示該字碼未予以驗證。
 - 第二個特色數字碼(3): 可以是 0,1,2,3,4,5,6,7,8 or X，代表防止水進入(防水)的能力等級，X 表示該字碼未予以驗證。

■ IEC/EN 60529, IP 碼構成

構成要件	IP 字母	對機殼設備之保護 (Equipment)	對人體之保護(Persons), 防止觸及危險零件的能力等級	測試條件說明
第一字碼 防止固態異物進入的能力等級	0	無保護	無保護	
	1	直徑050mm球體	手背	
	2	直徑012.5mm球體	手指	
	3	直徑02.5mm金屬棒	工具	
	4	直徑01.0mm金屬線	金屬線	
	5	防塵型，防止金屬線接觸危險部位，容許若干程度之粉塵進入	金屬線	2 Kg 之滑石粉於 1m ³ 空間內攪動
	6	塵密型，防止金屬線接觸危險部位，完全不容許粉塵進入	金屬線	2 Kg 之滑石粉於1m ³ 空間內攪動，產品施加負壓
第二字碼 防止水進入的能力等級	0	無保護		
	1	垂直水滴		流量：1mm/min, 駐留10分鐘
	2	滴水(15度傾斜角)		流量：3mm/min, 駐留2.5分鐘 / 每方向共4方向
	3	灑水		流量：0.07L /min/ 每孔(孔數依擺動管大小來定義); 噴水角度: ±60°; 試件於5分鐘後水平旋轉90° 駐留10分鐘
	4	濺水		流量：0.07L /min/ 每孔(孔數依擺動管大小來定義); 噴水角度: ±180°; 試件於每分鐘水平旋轉一圈，駐留10分鐘
	5	噴水		噴水口徑6.3mm, 於 2.5~3 米處以 12.5L /min 流量持續噴水3分鐘以上
	6	強力噴水		噴水口徑12.5mm, 於 2.5~3米處以 100L /min 流量持續噴水3分鐘以上
	7	暫時性浸沒		物件高度小於850mm時，需低於水面 1000mm，物件高度大於 850mm時，需低於水面 150mm，持續浸沒30分鐘
	8	持續性浸沒		買賣雙方協議



M8 / M61 / M12 Series



ORDERING INFORMATION

M-624-PML-R

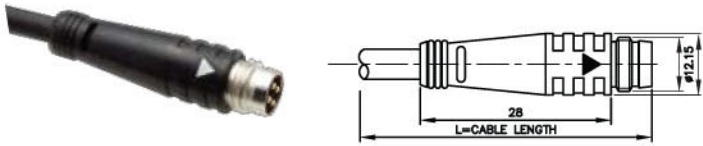


MATERIAL & FINISH

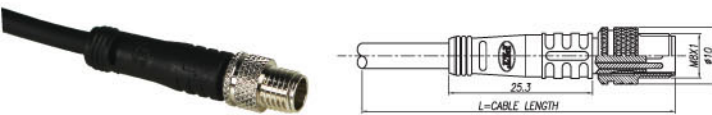
P:PLUG 插頭	R:Receptacle 插座	F:Female 導梢	M:Male 導針
--------------	--------------------	----------------	--------------

Description	Material	Finish
Shell / 外殼 本體	<ul style="list-style-type: none"> * Brass / 銅 * Zinc Die-Casting / 鋅合金壓鑄 * Aluminum alloy / 鋁合金壓鑄 	<ul style="list-style-type: none"> * Chrome-plated / 鉻電鍍 * Gold-plated / 金電鍍 * Nickle-plated / 鎳電鍍 * Silver-plated / 銀電鍍
Insulator / 絕緣體	<ul style="list-style-type: none"> * Bakelite / 電木 * Delrin / 塑鋼 * Nylon / 耐龍 	
Contact / 接觸體	<ul style="list-style-type: none"> * Brass / 銅 * P.Brass / 磷銅 * B.Brass / 鈹銅 	<ul style="list-style-type: none"> * Gold-plated / 金電鍍 * Silver-plated / 銀電鍍 * Nickle-plated / 鎳電鍍

M-631/M-641/M642 ◆ -PML



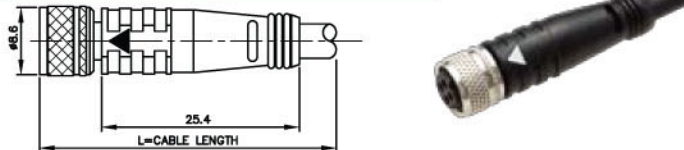
M-631/M-641/M642 ◆ -PMD



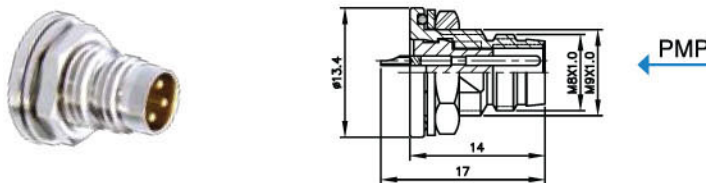
M-631/M-641/M642 ◆ -PF



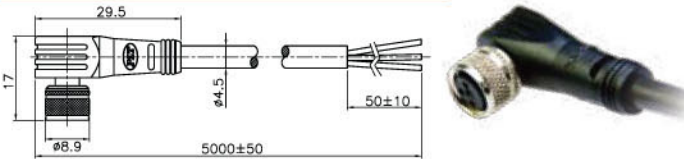
M-631/M-641/M642 ◆ -PFL



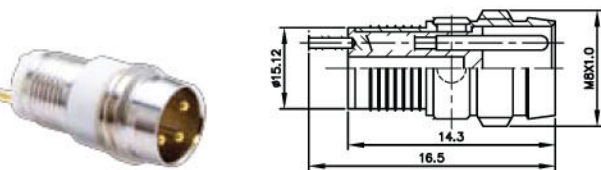
M-631/M-641/M642 ◆ -PMP



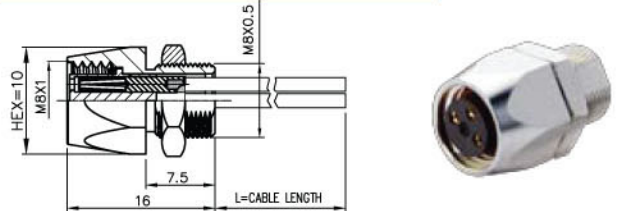
M-631/M-641/M642 ◆ -LPFL



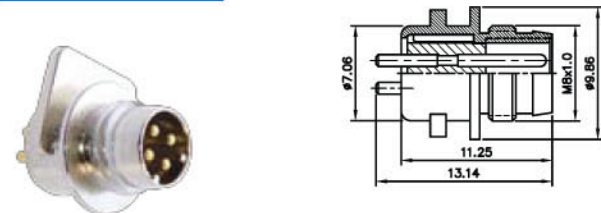
M-631/M-641/M642 ◆ -PM



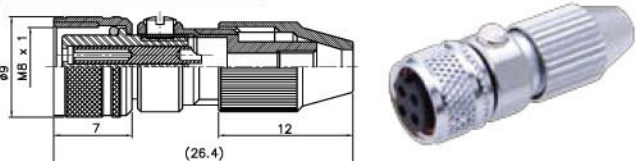
M-631/M-641/M642 ◆ -RFL



M-641 ◆ -RM

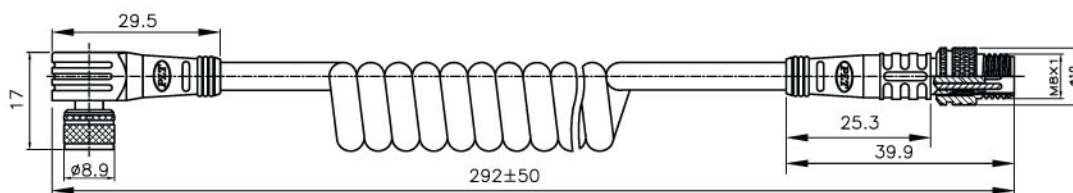
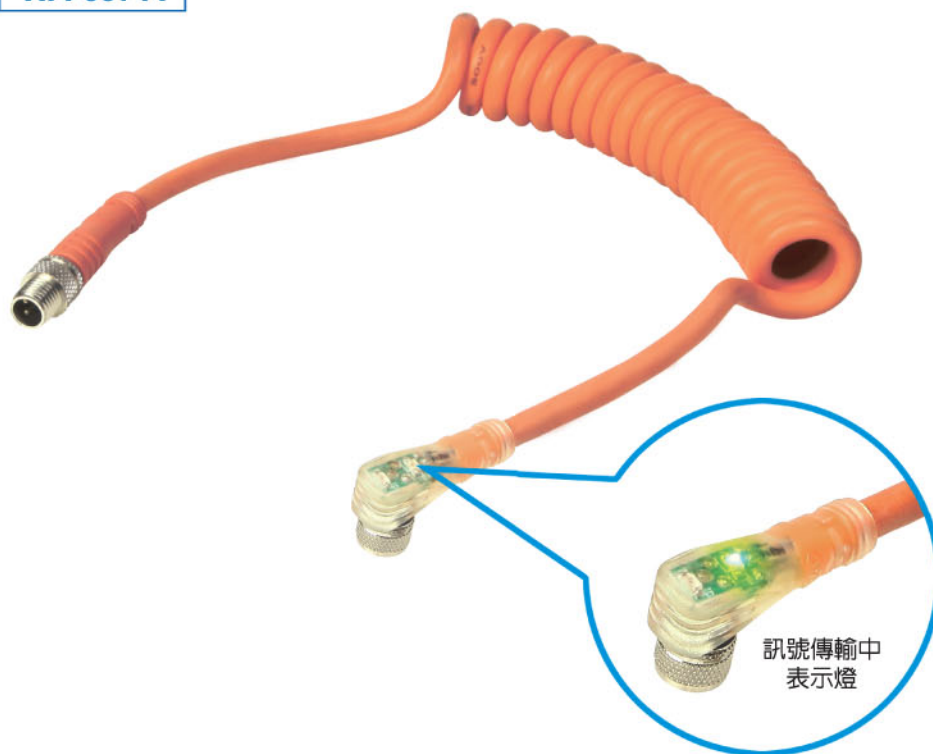


M641 ◆ -PFA-R



◆ No. of contacts 接點數目	3	4	4			
Contacts Configuration 接點方位						
Rated current / voltage 額定電流/電壓	1A 100V	1A 100V	1A 100V			
Insulation resistance (MΩ MIN.) at DC 500V / 絕緣阻抗	300	300	300			
Contact resistance (mΩ MAX.) at DC 1A 接觸阻抗	3	3	3			
Solder inter diameter 焊孔內徑	1	1	1			

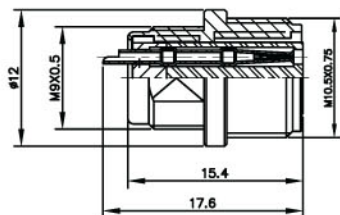
WA-637 A



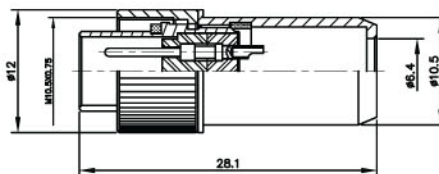
◆ No. of contacts 接點數目	3	4	4			
Contacts Configuration 接點方位						
Rated current / voltage 額定電流/電壓	1A 100V	1A 100V	1A 100V			
Insulation resistance (MΩ MIN.) at DC 500V / 絕緣阻抗	300	300	300			
Contact resistance (mΩ MAX.) at DC 1A 接觸阻抗	3	3	3			
Solder inter diameter 焊孔內徑	1	1	1			



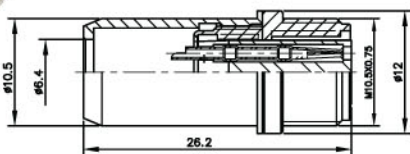
M-61 R



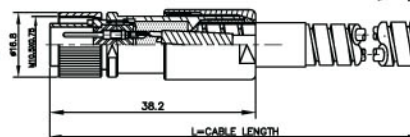
M-61 A



M-61 RA



M-61 DL

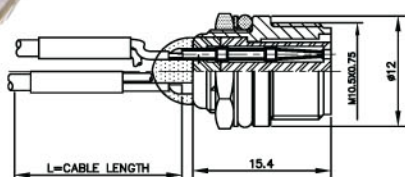


WIRE LENGTH 線材長度

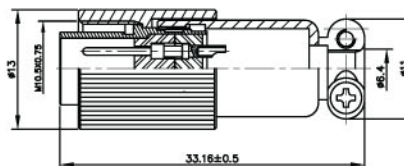


M-61 RL

WIRE LENGTH 線材長度



M-61 E

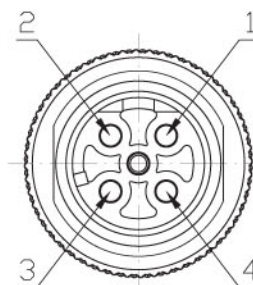
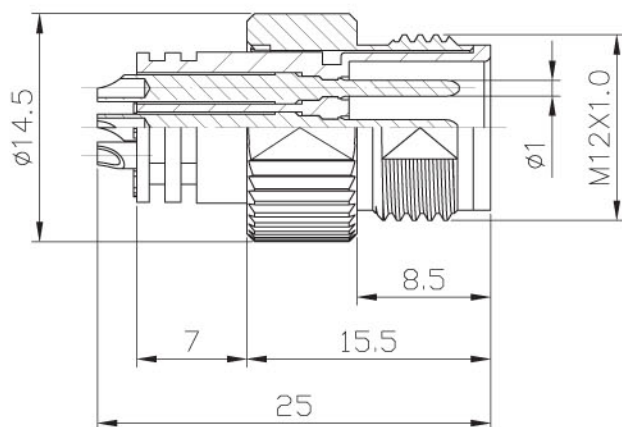
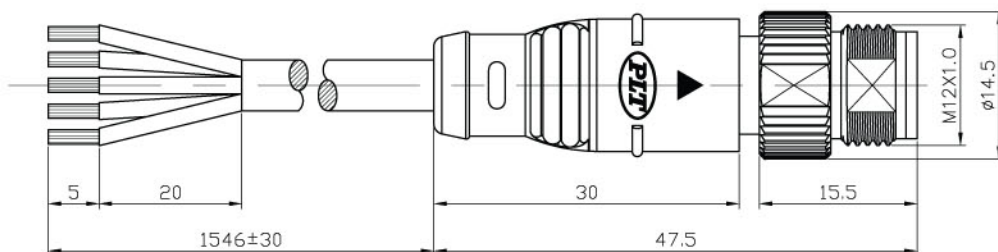


◆ No. of contacts 接點數目	2	3	4	5		
Contacts Configuration 接點方位						
Rated current / voltage 額定電流/電壓	1A 100V	1A 100V	1A 100V	1A 100V		
Withstanding voltage (AC.V.rms) 1 minute 耐電壓1分鐘	AC 300V DC 500V	AC 300V DC 500V	AC 300V DC 500V	AC 300V DC 500V		
Insulation resistance (MΩ MIN.) at DC 500V 絕緣阻抗	200	200	200	200		
Contact resistance (mΩ MAX.) at DC 1A 接觸阻抗	3	3	3	3		
Solder inter diameter 焊孔內徑	0.9	0.9	0.9	0.9		



M-D62 ❖ PM

SHELL: ZINC DIE-CASTING (鋅合金壓鑄)



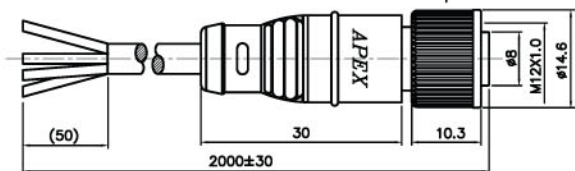
D-Code

❖ No. of contacts 接點數目	4				
Contacts Configuration 接點方位					
Rated current / voltage 額定電流 / 電壓	3A-125V MAX. 5ma-5V MIN.				
Withstanding voltage (AC.V.rms) 1 minute 耐電壓1分鐘	1000				
Insulation resistance (MΩ MIN.) at DC 500V 絕緣阻抗	100				

M-62 PFL

WIRE LENGTH
線材長度

Cap Material : Al Alloy
固定帽材質：鋁合金



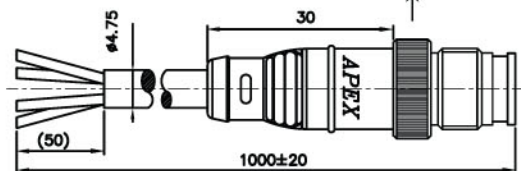
L	WIRE LENGTH
1	1M
2	2M
3	3M
4	4M
5	5M



M-62 PML

WIRE LENGTH
線材長度

Cap Material : Brass
固定帽材質：銅



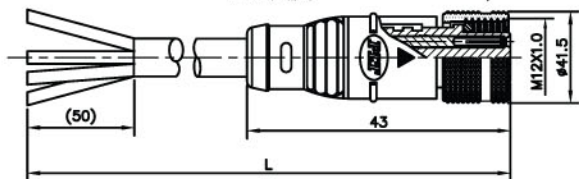
L	WIRE LENGTH
1	1M
2	2M
3	3M
4	4M
5	5M



M-62 PFGL

WIRE LENGTH
線材長度

Cap Material : Brass
固定帽材質：銅



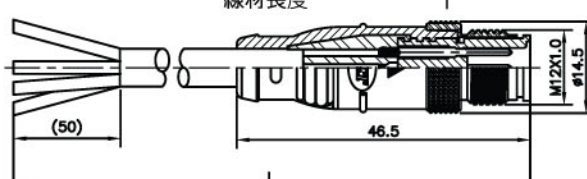
L	WIRE LENGTH
1	1M
2	2M
3	3M
4	4M
5	5M



M-62 PMGL

WIRE LENGTH
線材長度

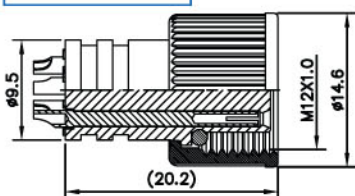
Cap Material : Brass
固定帽材質：銅



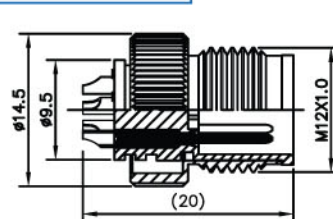
L	WIRE LENGTH
1	1M
2	2M
3	3M
4	4M
5	5M









M-62 -PF



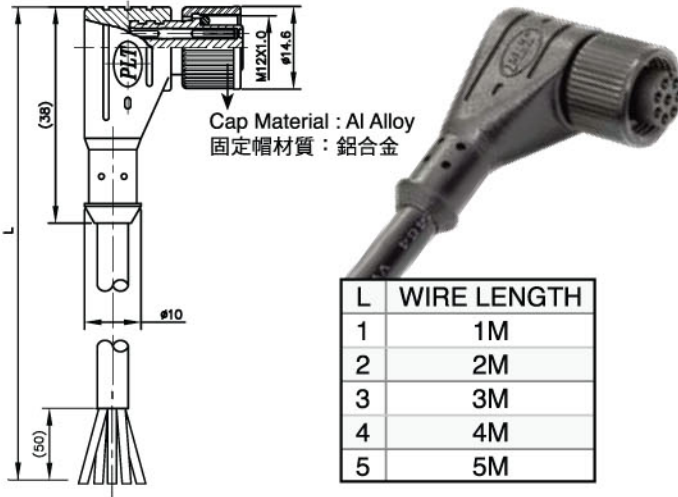
M-62 -PM



◆ No. of contacts 接點數目	3	3A	4	5	6	8
Contacts Configuration 接點方位						
Rated current / voltage 額定電流/電壓	3A-125V MAX. 5ma-5V MIN.	8A-125V MAX. 5ma-5V MIN.	3A-125V MAX. 5ma-5V MIN.	3A-125V MAX. 5ma-5V MIN.	3A-125V MAX. 5ma-5V MIN.	3A-125V MAX. 5ma-5V MIN.
Withstanding voltage (AC.V.rms) 1 minute 耐電壓1分鐘	300	500	300	300	300	300
Insulation resistance (MΩ MIN.) at DC 500V 絕緣阻抗	100	100	100	100	100	100
Contact resistance (mΩ MAX.) at DC 1A 接觸阻抗	3	3	3	3	3	3
Solder inter diameter 焊孔內徑	1.0	1.0	1.0	1.0	1.0	1.0

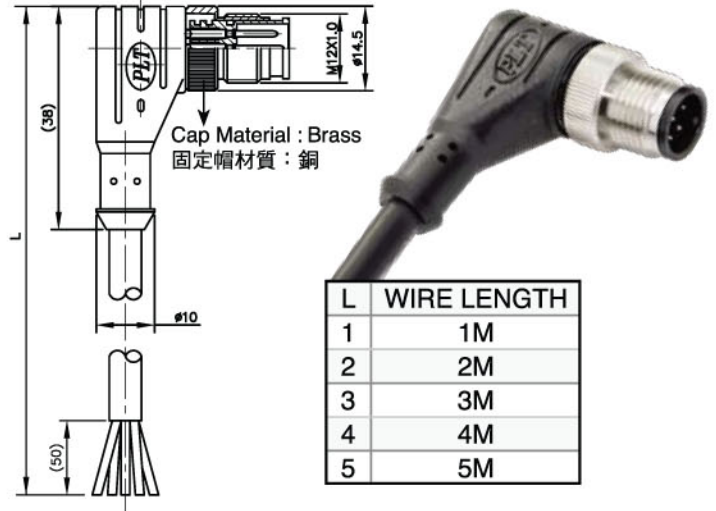
M-62 ◆ LPFL

WIRE LENGTH 線材長度



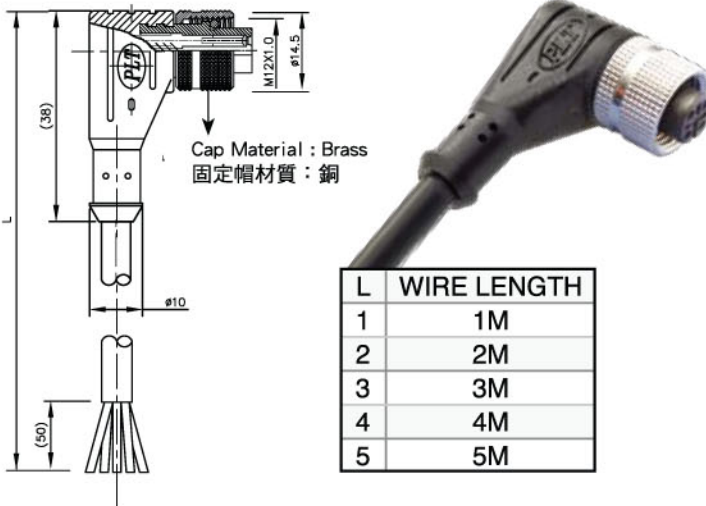
M-62 ◆ LPML

WIRE LENGTH 線材長度



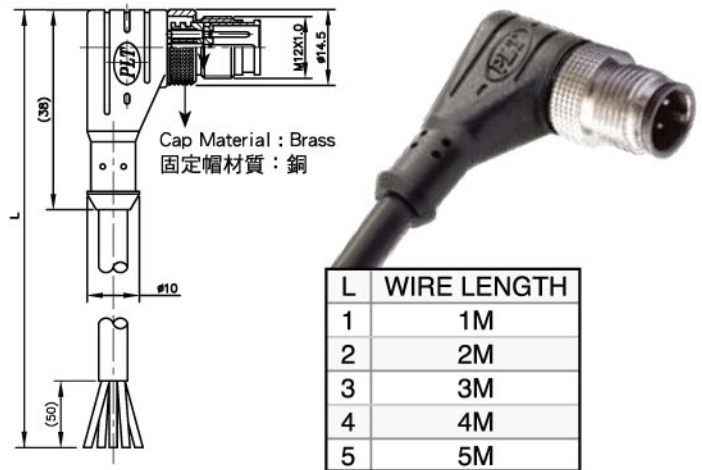
M-62 ◆ A-LPFL







WIRE LENGTH 線材長度



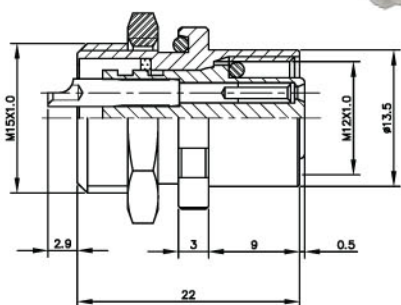
M-62 ◆ A-LPML

WIRE LENGTH 線材長度

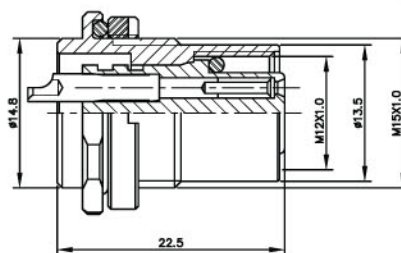


◆ No. of contacts 接點數目	3	3A	4	5	6	8
Contacts Configuration 接點方位						
Rated current / voltage 額定電流/電壓	3A-125V MAX. 5ma-5V MIN.	8A-125V MAX. 5ma-5V MIN.	3A-125V MAX. 5ma-5V MIN.	3A-125V MAX. 5ma-5V MIN.	3A-125V MAX. 5ma-5V MIN.	3A-125V MAX. 5ma-5V MIN.
Withstanding voltage (AC.V.rms) 1 minute 耐電壓1分鐘	300	500	300	300	300	1500
Insulation resistance (MΩ MIN.) at DC 500V 絕緣阻抗	100	100	100	100	100	100
Contact resistance (mΩ MAX.) at DC 1A 接觸阻抗	3	3	3	3	3	3
Solder inter diameter 焊孔內徑	1.0	1.0	1.0	1.0	1.0	1.0

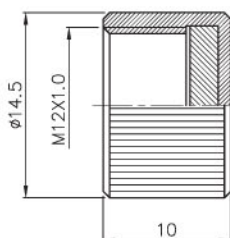
M-62 ◆ -RF



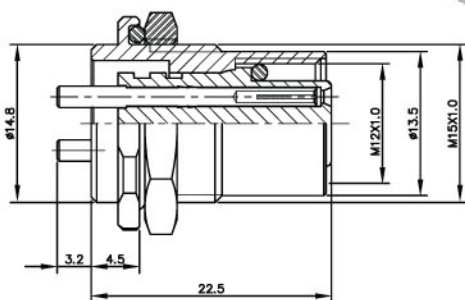
M-62 ◆ -RFA



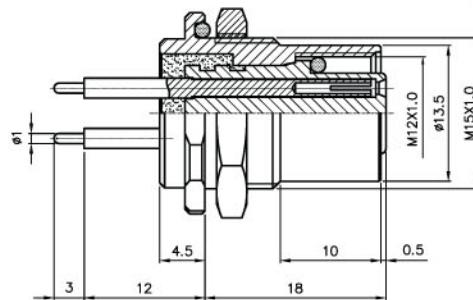
M-62-RCa-R



M-62 ◆ -RFB

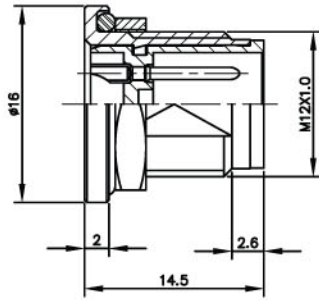


M-62 ◆ -RFC

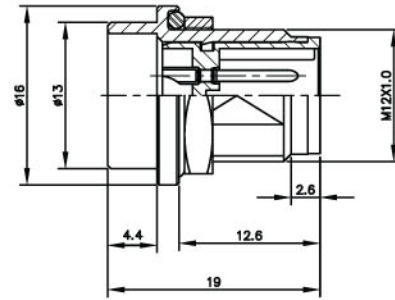


◆ No. of contacts 接點數目	3	3A	4	5	6	8
Contacts Configuration 接點方位						
Rated current / voltage 額定電流/電壓	3A-125V MAX. 5ma-5V MIN.	8A-125V MAX. 5ma-5V MIN.	3A-125V MAX. 5ma-5V MIN.	3A-125V MAX. 5ma-5V MIN.	3A-125V MAX. 5ma-5V MIN.	3A-125V MAX. 5ma-5V MIN.
Withstanding voltage (AC.V.rms) 1 minute 耐電壓1分鐘	1500	1500	1500	1500	1500	1500
Insulation resistance (MΩ MIN.) at DC 500V 絕緣阻抗	100	500	100	100	100	100
Contact resistance (mΩ MAX.) at DC 1A 接觸阻抗	3	3	3	3	3	3
Solder inter diameter 焊孔內徑	1.0	1.0	1.0	1.0	1.0	1.0

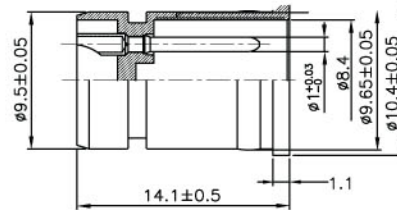
M-62 ❖ -RM



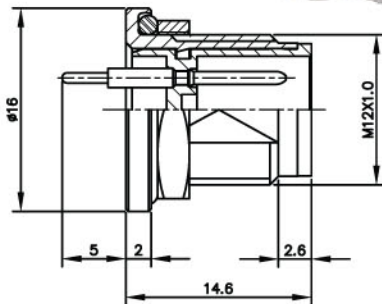
M-62 ❖ -RMA



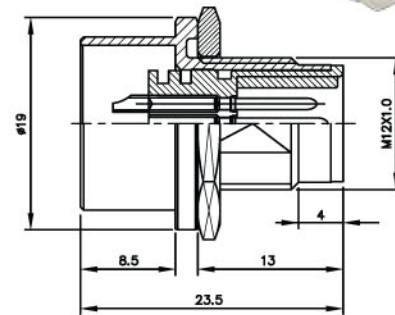
M-62 ❖ -GP



M-62 ❖ -RMB

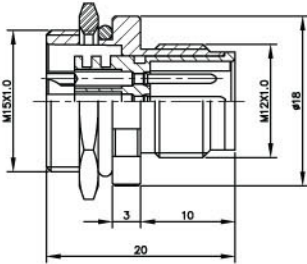


M-62 ❖ -RMC

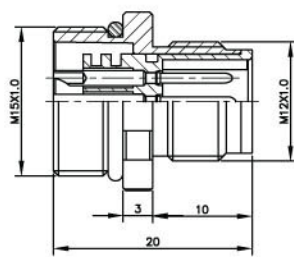


❖ No. of contacts 接點數目	3	3A	4	5	6	8
Contacts Configuration 接點方位						
Rated current / voltage 額定電流/電壓	3A-125V MAX. 5ma-5V MIN.	8A-125V MAX. 5ma-5V MIN.	3A-125V MAX. 5ma-5V MIN.	3A-125V MAX. 5ma-5V MIN.	3A-125V MAX. 5ma-5V MIN.	3A-125V MAX. 5ma-5V MIN.
Withstanding voltage (AC.V.rms) 1 minute 耐電壓1分鐘	1500	1500	1500	1500	1500	1500
Insulation resistance (MΩ MIN.) at DC 500V 絕緣阻抗	100	500	100	100	100	100
Contact resistance (mΩ MAX.) at DC 1A 接觸阻抗	3	3	3	3	3	3
Solder inter diameter 焊孔內徑	1.0	1.0	1.0	1.0	1.0	1.0

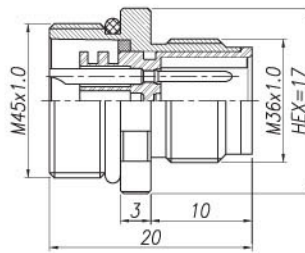
M-62 ♦ -RMD



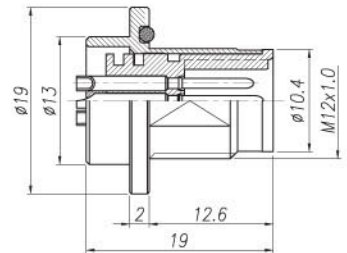
M-62 ♦ -RME



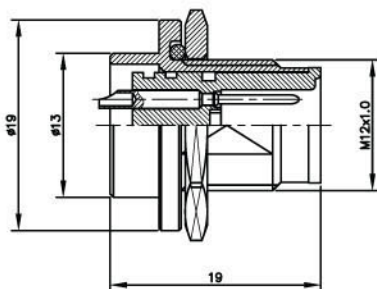
M-624/626 ♦ -RME



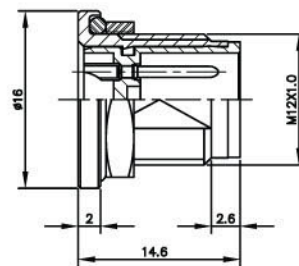
M-625/628 ♦ -RME



M-62 ♦ -RMH



M-62 ♦ -RMS



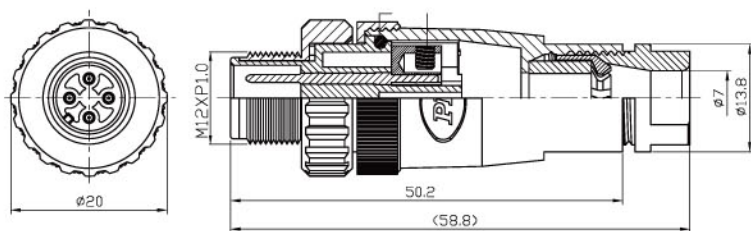
SHELL: STAINLESS STEEL
(不鏽鋼)

◆ No. of contacts 接點數目	3	3A	4	5	6	8
Contacts Configuration 接點方位						
Rated current / voltage 額定電流/電壓	3A-125V MAX. 5ma-5V MIN.	8A-125V MAX. 5ma-5V MIN.	3A-125V MAX. 5ma-5V MIN.	3A-125V MAX. 5ma-5V MIN.	3A-125V MAX. 5ma-5V MIN.	3A-125V MAX. 5ma-5V MIN.
Withstanding voltage (AC.V.rms) 1 minute 耐電壓1分鐘	1500	1500	1500	1500	1500	1500
Insulation resistance (MΩ MIN.) at DC 500V 絕緣阻抗	100	500	100	100	100	100
Contact resistance (mΩ MAX.) at DC 1A 接觸阻抗	3	3	3	3	3	3
Solder inter diameter 焊孔內徑	1.0	1.0	1.0	1.0	1.0	1.0



M-62◆SP-PM-R

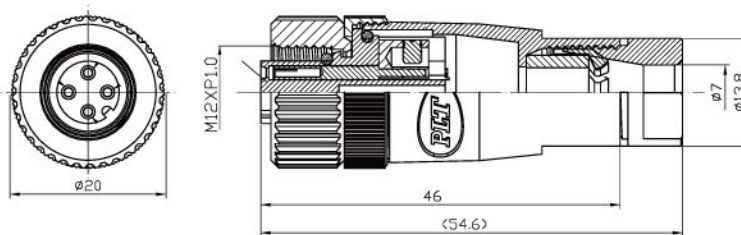
M-624SPA-PF-R



PM

PF

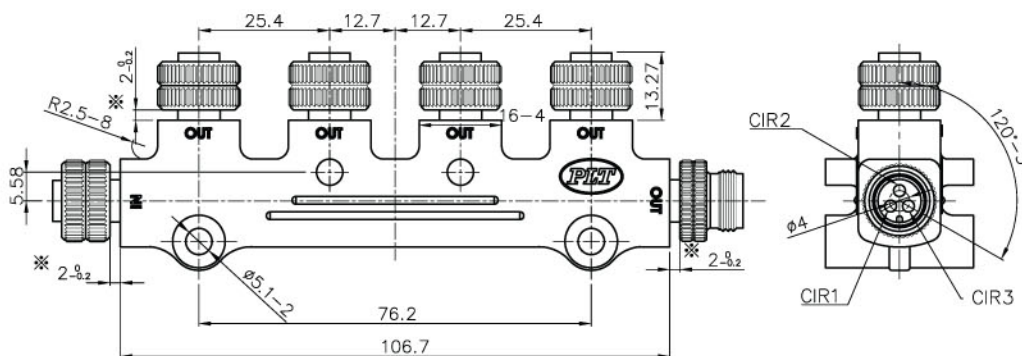
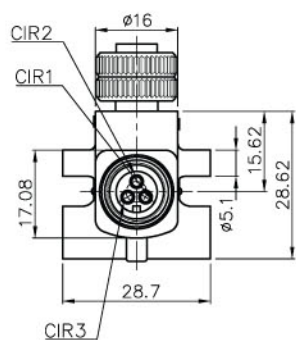
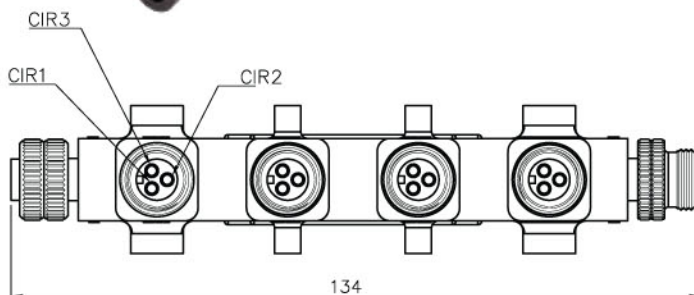
M-62◆SP-PF-R



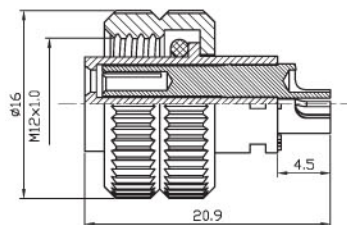
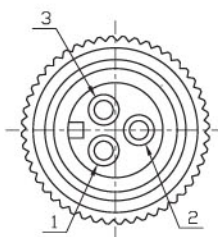
◆ No. of contacts 接點數目	4	5	6	8		
Contacts Configuration 接點方位						
Rated current / voltage 額定電流/電壓	3A-125V MAX. 5ma-5V MIN.	3A-125V MAX. 5ma-5V MIN.	3A-125V MAX. 5ma-5V MIN.	3A-125V MAX. 5ma-5V MIN.		
Withstanding voltage (AC.V.rms) 1 minute 耐電壓1分鐘	1500	1500	1500	1500		
Insulation resistance (MΩ MIN.) at DC 500V 絕緣阻抗	100	100	100	100		
Contact resistance (mΩ MAX.) at DC 1A 接觸阻抗	3	3	3	3		
Solder inter diameter 焊孔內徑	1.0	1.0	1.0	1.0		



M-623T5-ADP-R



Switching Power Supply
可調式電源供應器

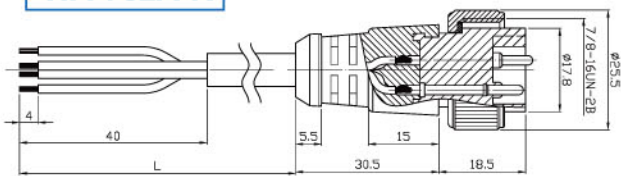


M-623A-PF

Items	Electrical specifications
Withstanding voltage (AC.V.rms) 1 minute 耐電壓1分鐘	300
Insulation resistance (MΩ MIN.) at DC 500V 絕緣阻抗	100

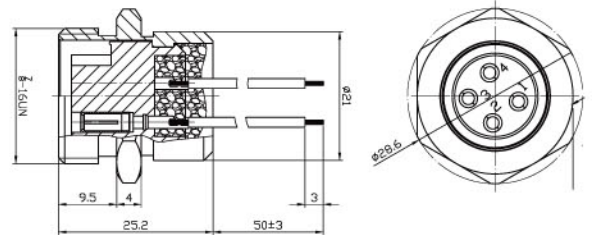


WA-782A-R



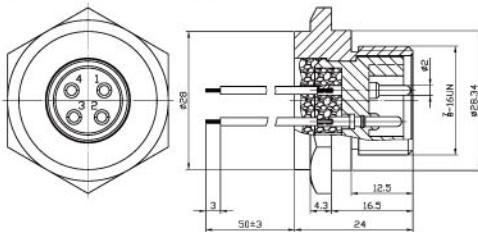
PM

M-654-RFO



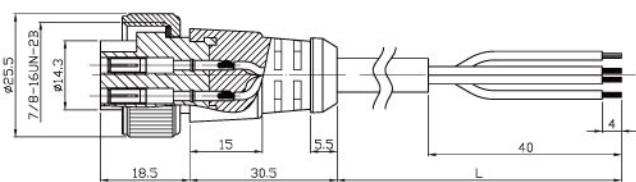
RF

M-654-RML



RM

WA-783A-R



PF

No. of contacts 接點數目	4	5	
Contacts Configuration 接點方位			
Rated current / voltage 額定電流/電壓	AC/DC 5V-5mA min. AC/DC 600V-9A max.	AC/DC 5V-5mA min. AC/DC 600V-9A max.	
Withstanding voltage (AC.V.rms) 1 minute 耐電壓1分鐘	100	100	
Insulation resistance (MΩ MIN.) at DC 500V 絕緣阻抗	1000	1000	
Contact resistance (mΩ MAX.) at DC 1A 接觸阻抗	100	100	

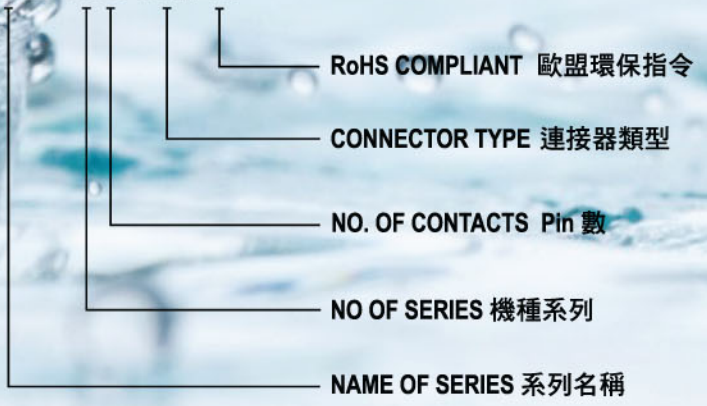


WPS / WPM / PLS / WA Series



ORDERING INFORMATION

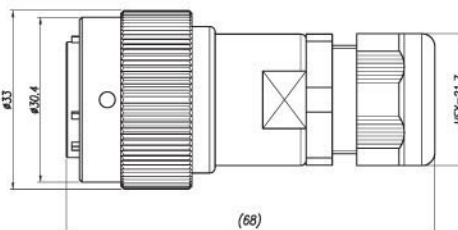
WPM-202-RM-R



P:PLUG 插頭	R:Receptacle 插座	F:Female 導梢	M:Male 導針
--------------	--------------------	----------------	--------------

AMS3126A

AMS3126A 16-22P-R



◆ No. Electrical Specification	
Withstanding voltage	AC 1000V one minute
Rated current / voltage	2A 125V
Insulation resistance	100MΩ min. at DC 500V



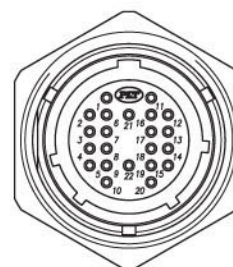
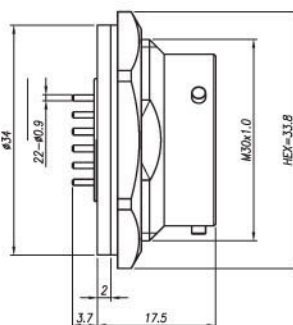
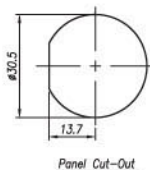
For PCB Type

- PCB Type
- Soldering Type
- Clamping Type



WPS3112E

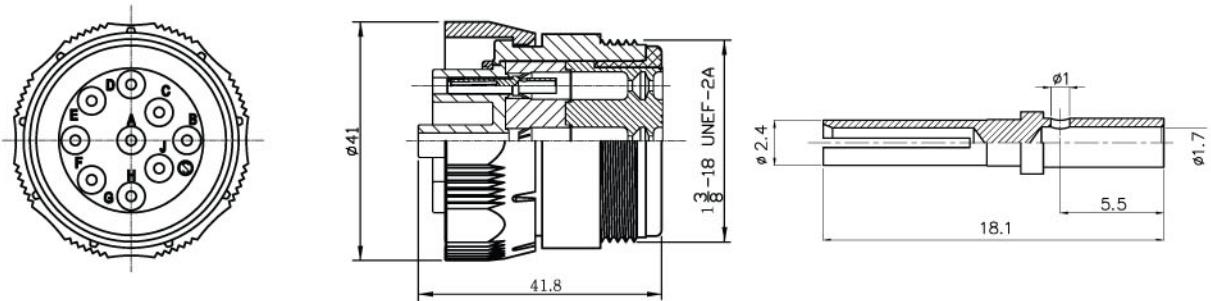
WPS3112E 16-22S-R



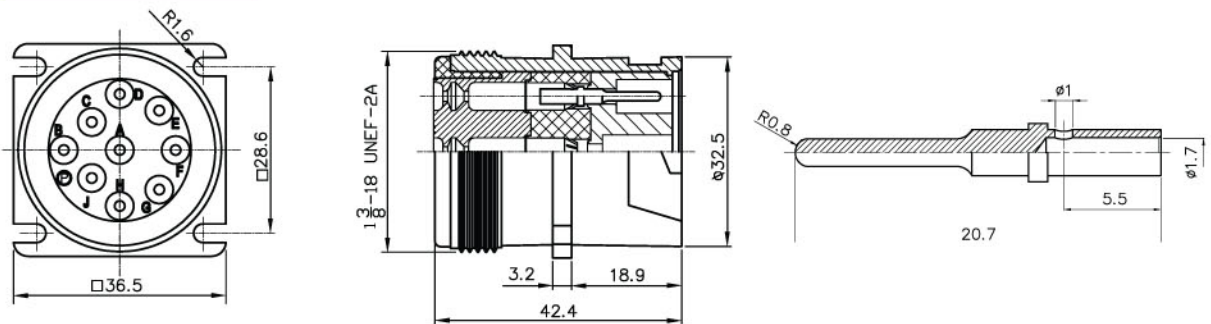
◆ No. Electrical Specification		22		
Contacts Configuration 接點方位				
Rated current / voltage 額定電流/電壓		2A 125V		
Insulation resistance (MΩ MIN.) at DC 500V 絕緣阻抗		100M Ω min. at DC 500V		
Withstanding voltage (AC.V.rms) 1 minute 耐電壓1分鐘		AC1000V / 1 minute		
Contact resistance		≧ 10 min Ω		



WPM06B-9-16S



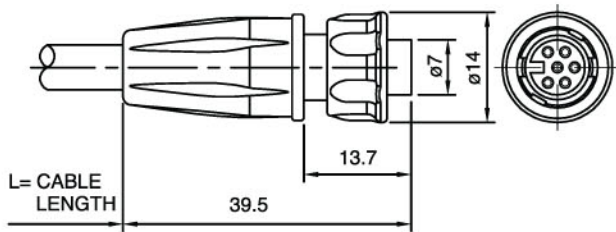
WPM02A-9-16P



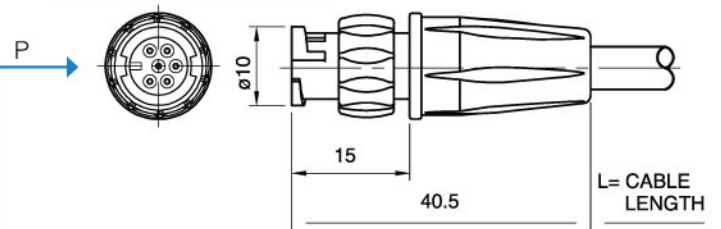
◆ No. of contacts 接點數目	9					
Contacts Configuration 接點方位						
Rated current / voltage 額定電流/電壓	13A 250V					
Operation limit voltage (AC.V.rms) 操作電壓限制	250					
Withstanding voltage (AC.V.rms) 1 minute 耐電壓1分鐘	2000					
Insulation resistance (MΩ MIN.) at DC 500V 絕緣阻抗	5000					
Contact resistance (mΩ MAX.) at DC 1A 接觸阻抗	3					
Solder inter diameter 焊孔內徑	1.7					



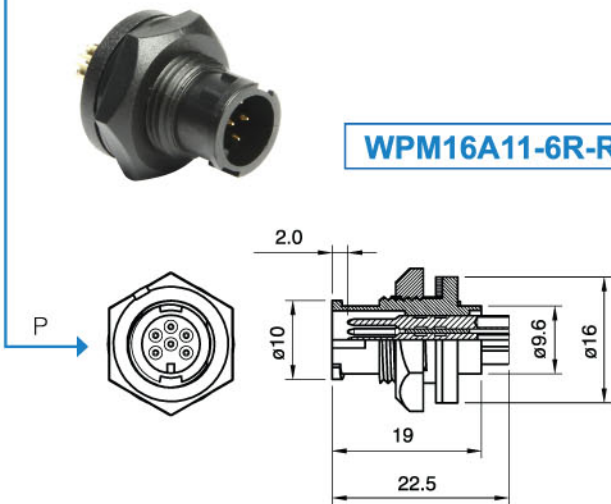
WPM16A11-6SL



WPM16A11-6PL



WPM16A11-6R-R

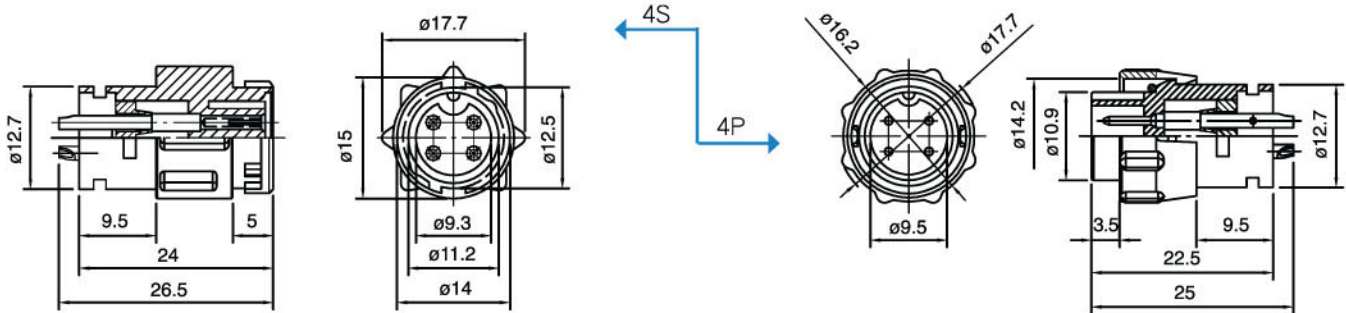


◆ No. Electrical Specification	6		
Contacts Configuration 接點方位			
Rated current / voltage 額定電流/電壓	3A 125V		
Insulation resistance (MΩ MIN.) at DC 500V 絕緣阻抗	≥ 100M Ω at DC 500V		
Current rating	≥ 100V, 2A		
Withstanding voltage (AC.V.rms) 1 minute 耐電壓1分鐘	≥ AC300V / 1 minute		



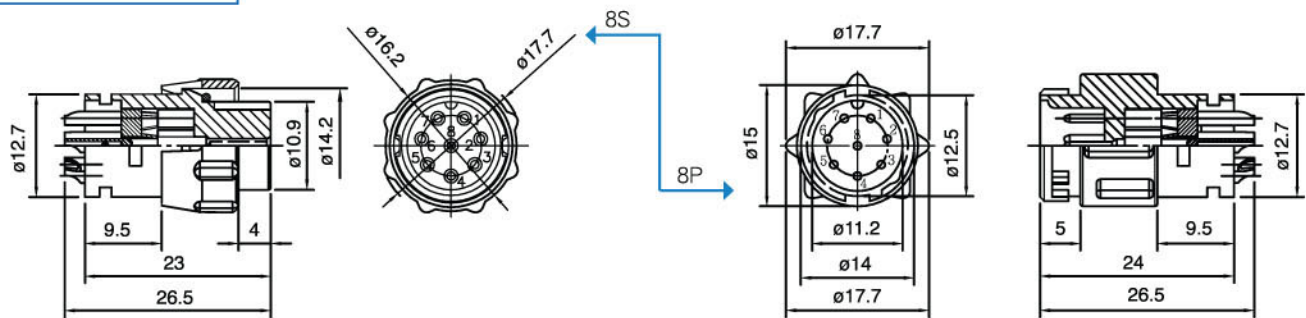
WPM16C12-4S

WPM16C12-4P



WPM16C12-8S

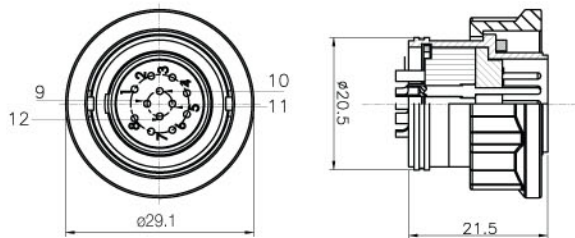
WPM16C12-8P



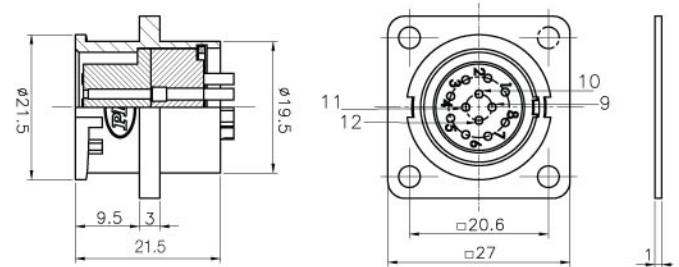
◆ No. Electrical Specification	4	8			
Contacts Configuration 接點方位					
Rated current / voltage 額定電流/電壓	3A 125V	3A 125V			
Withstanding voltage (AC.V.rms) 1 minute 耐電壓1分鐘	1000	1000			
Insulation resistance (MΩ MIN.) at DC 500V 絕緣阻抗	100 MΩ	100 MΩ			
Contact resistance (mΩ MAX.) at DC 1A 接觸阻抗	3	3			



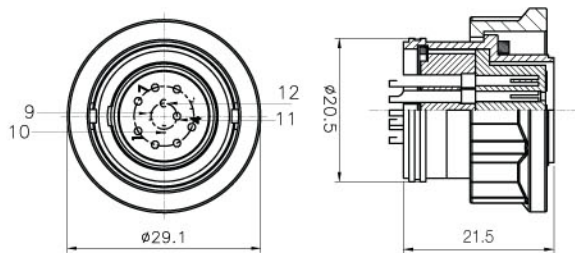
WPM-19-PM



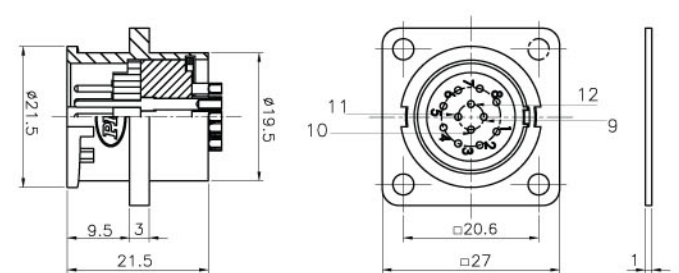
WPM-19-RF



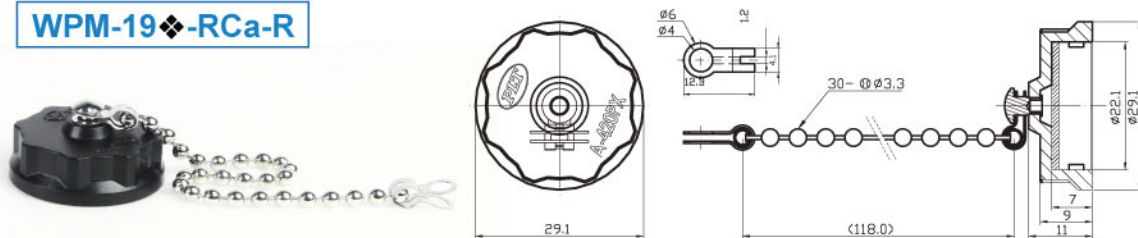
WPM-19-PF



WPM-19-RM



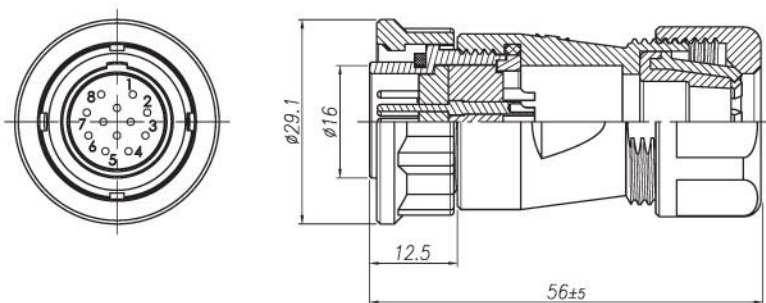
WPM-19-RCa-R



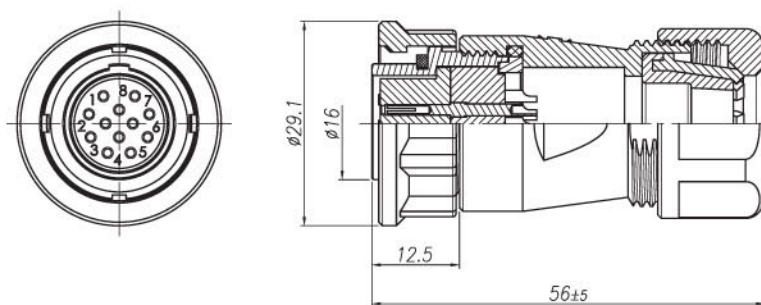
◆ No. of contacts 接點數目	8	12				
Contacts Configuration 接點方位						
Rated current / voltage 額定電流/電壓	5A 125V	5A 125V				
limit voltage (AC.V.rms) 操作電壓限制	125	125				
Withstanding voltage (AC.V.rms) 1 minute 耐電壓1分鐘	300	300				
Insulation resistance (MΩ MIN.) at DC 500V 絕緣阻抗	1000	1000				
Contact resistance (mΩ MAX.) at DC 1A 接觸阻抗	3	3				
Solder inter diameter 焊孔內徑	1.2	1.2				



WPM-19 ◆-SPM



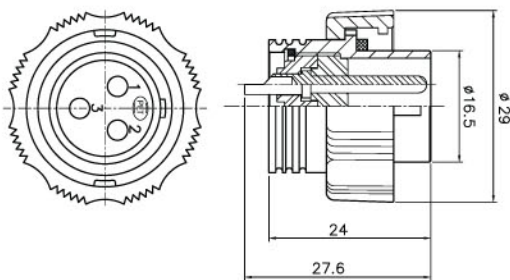
WPM-19 ◆-SPF



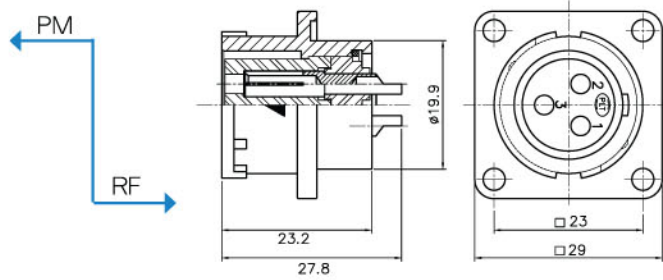
◆ No. of contacts 接點數目	8	12				
Contacts Configuration 接點方位						
Rated current / voltage 額定電流/電壓	5A 125V	5A 125V				
Operation limit voltage (AC.V.rms) 操作電壓限制	125	125				
Withstanding voltage (AC.V.rms) 1 minute 耐電壓1分鐘	300	300				
Insulation resistance (MΩ MIN.) at DC 500V 絕緣阻抗	1000	1000				
Contact resistance (mΩ MAX.) at DC 1A 接觸阻抗	3	3				
Solder inter diameter 焊孔內徑	1.2	1.2				



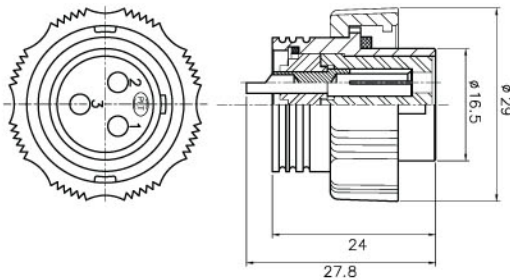
WPM-20-PM



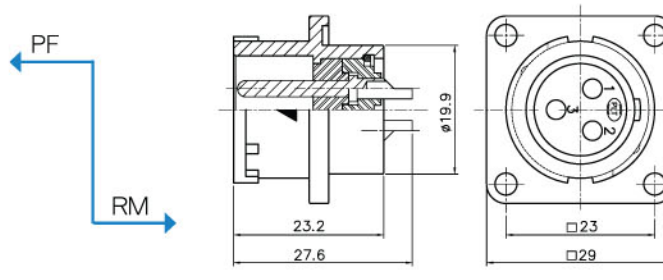
WPM-20-RF



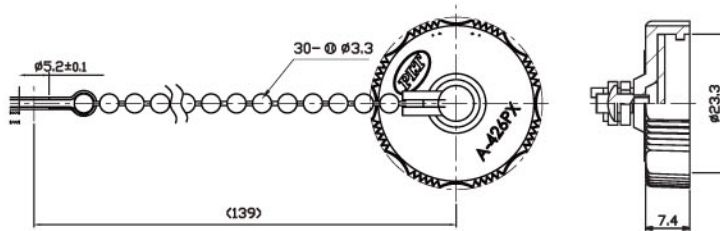
WPM-20-PF



WPM-20-RM



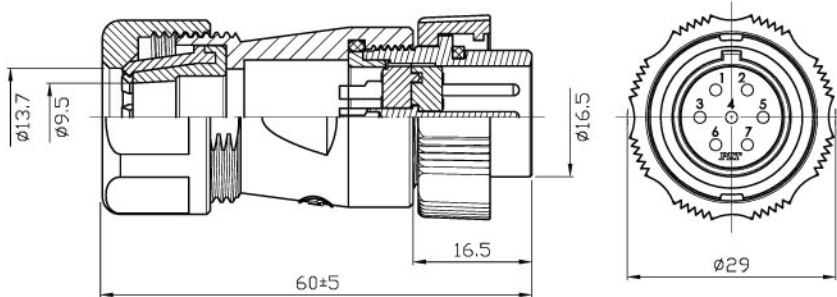
WPM-20-RCa-R



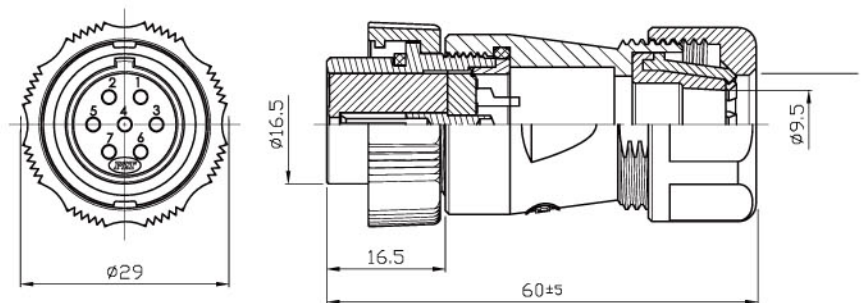
◆ No. of contacts 接點數目	2	3	4	7		
Contacts Configuration 接點方位						
Rated current / voltage 額定電流/電壓	15A 250V	15A 250V	15A 250V	15A 250V		
Operation limit voltage (AC.V.rms) 操作電壓限制	250	250	250	250		
Withstanding voltage (AC.V.rms) 1 minute 耐電壓1分鐘	1500	1500	1500	1000		
Insulation resistance (MΩ MIN.) at DC 500V 絕緣阻抗	2000	2000	2000	2000		
Contact resistance (mΩ MAX.) at DC 1A 接觸阻抗	3	3	3	3		
Solder inter diameter 焊孔內徑	1.8	1.8	1.6	1.6		



WPM-20◆-SPM



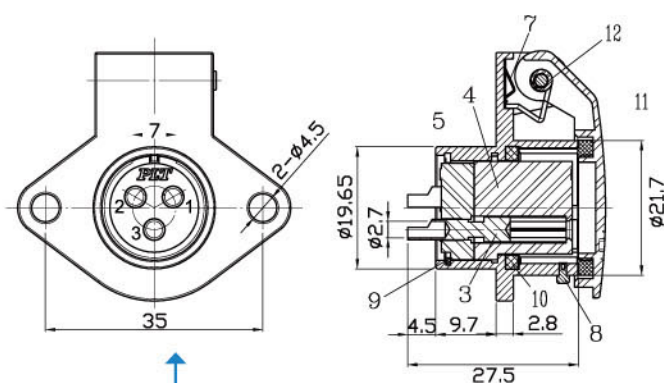
WPM-20◆-SPF



◆ No. of contacts 接點數目	2	3	4	7		
Contacts Configuration 接點方位						
Rated current / voltage 額定電流/電壓	15A 250V	15A 250V	15A 250V	15A 250V		
Operation limit voltage (AC.V.rms) 操作電壓限制	250	250	250	250		
Withstanding voltage (AC.V.rms) 1 minute 耐電壓1分鐘	1500	1500	1500	1500		
Insulation resistance (MΩ MIN.) at DC 500V 絕緣阻抗	2000	2000	2000	2000		
Contact resistance (mΩ MAX.) at DC 1A 接觸阻抗	3	3	3	3		
Solder inter diameter 焊孔內徑	1.8	1.8	1.6	1.6		



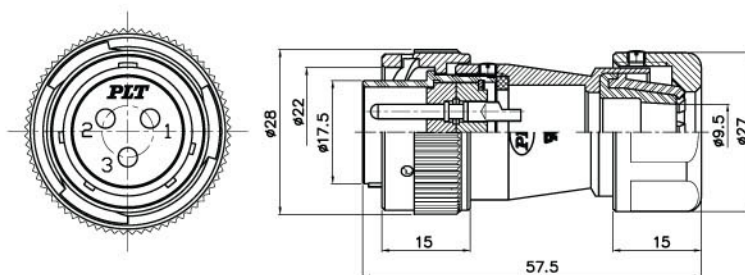
WPM-21 ◆-RF



RF

PM

WPM-21 ◆-PM

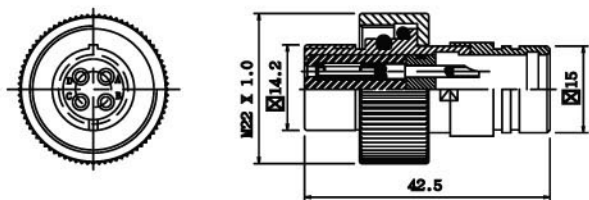


◆ No. of contacts 接點數目	3				
Contacts Configuration 接點方位					
Rated current / voltage 額定電流 / 電壓	15A 250V				
Operation limit voltage (AC.V.rms) 操作電壓限制	250				
Withstanding voltage (AC.V.rms) 1 minute 耐電壓1分鐘	1500				
Insulation resistance (MΩ MIN.) at DC 500V 絕緣阻抗	2000				
Contact resistance (mΩ MAX.) at DC 1A 接觸阻抗	3				

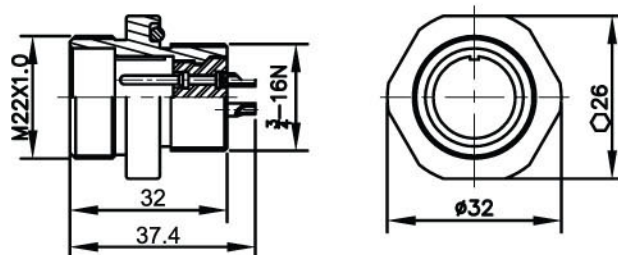
SHELL: STAINLESS STEEL
(不鏽鋼)



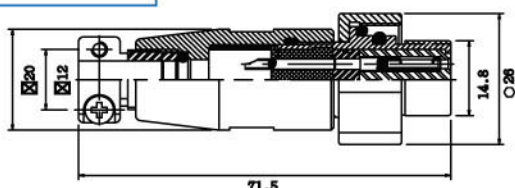
WPM-21 ◆ -PL



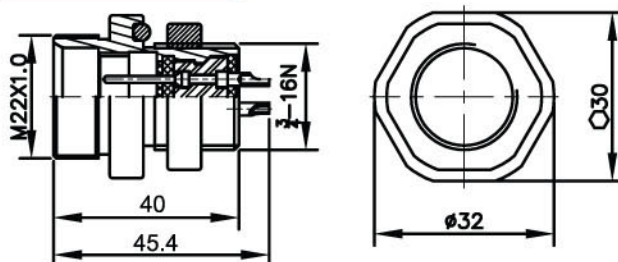
WPM-21 ◆ -R



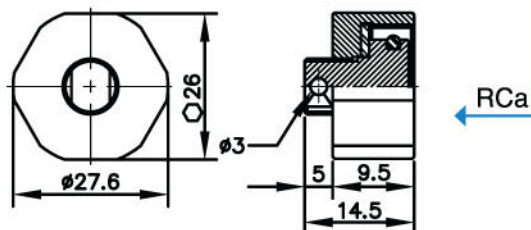
WPM-21 ◆ -P



WPM-21 ◆ -RA

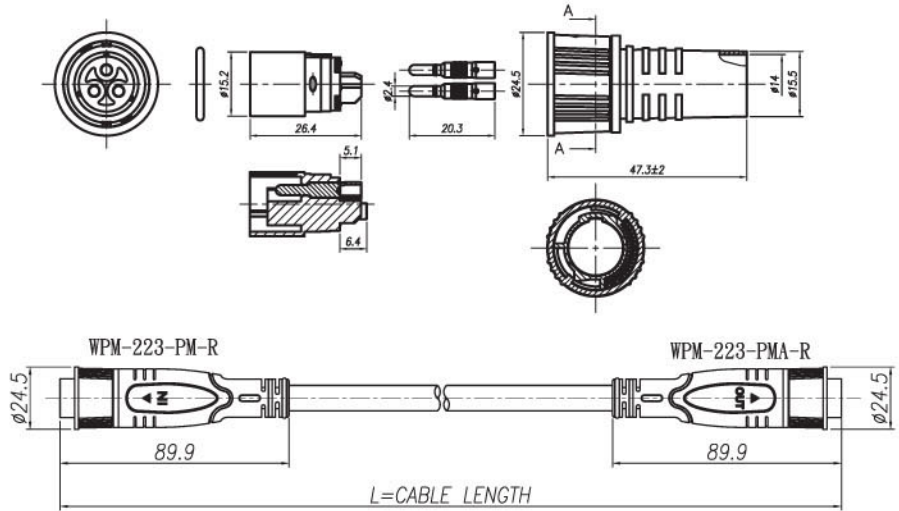


WPM-21 ◆ -RCa



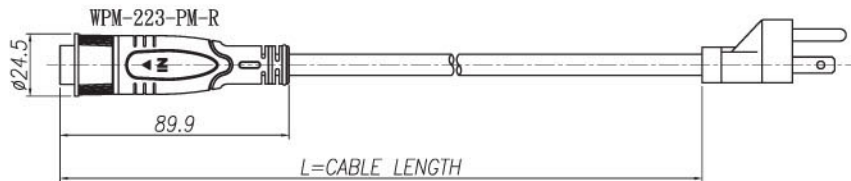
◆ No. of contacts 接點數目	4				
Contacts Configuration 接點方位					
Rated current / voltage 額定電流 / 電壓	10A 100V				
Operation limit voltage (AC.V.rms) 操作電壓限制	100				
Insulation resistance (MΩ MIN.) at DC 500V 絕緣阻抗	200				
Contact resistance (MΩ MAX.) at DC 1A 接觸阻抗	3				
Solder inter diameter 焊孔內徑	1.5				

WPM-223-PM



NO.	Electrical Specification
1	Insulation Resistance $\geq 100M\Omega$ at DC500V
2	Withstanding Voltage $\geq AC600V/1Minute$

WPM-223-PMA

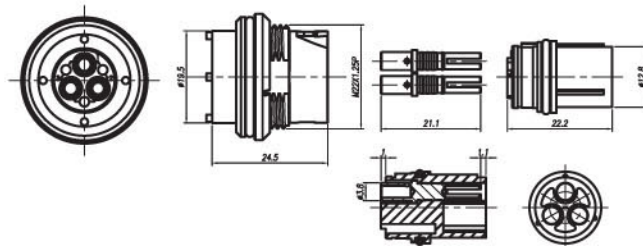


NO.	Electrical Specification
1	Insulation Resistance $\geq 100M\Omega$ at DC500V
2	Withstanding Voltage $\geq AC300V/1Minute$

WPM-223-RF

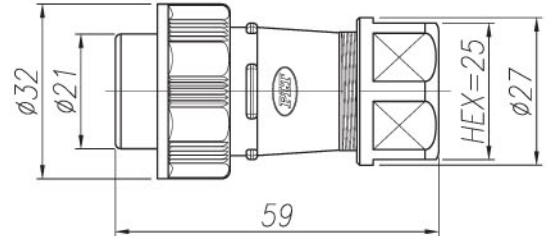
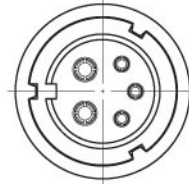


WPM-223-RFA



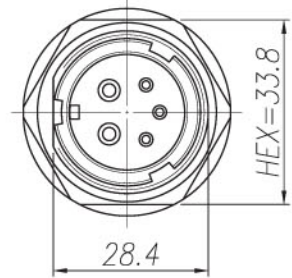
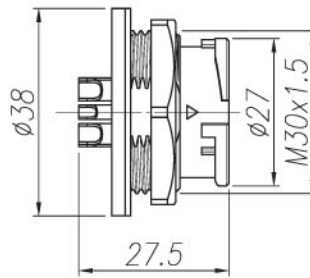
◆ No. Electrical Specification	3	3			
Contacts Configuration 接點方位					
Rated current / voltage 額定電流/電壓	23A 600V	23A 600V			
Withstanding voltage (AC.V.rms) 1 minute 耐電壓1分鐘	2000	2000			
Insulation resistance (MΩ MIN.) at DC 500V 絕緣阻抗	5000 MΩ	5000 MΩ			
Contact resistance (mΩ MAX.) at DC 1A 接觸阻抗	3	3			

WPM-305A-PF



◆ No. of contacts 接點數目	5				
Contacts Configuration 接點方位					
Rated current / voltage 額定電流/電壓	5A / 20A 250V				
Operation limit voltage (AC.V.rms) 操作電壓限制	200				
Withstanding voltage (AC.V.rms) 1 minute 耐電壓1分鐘	1000				
Insulation resistance (MΩ MIN.) at DC 500V 絕緣阻抗	1000				
Contact resistance (mΩ MAX.) at DC 1A 接觸阻抗	3				

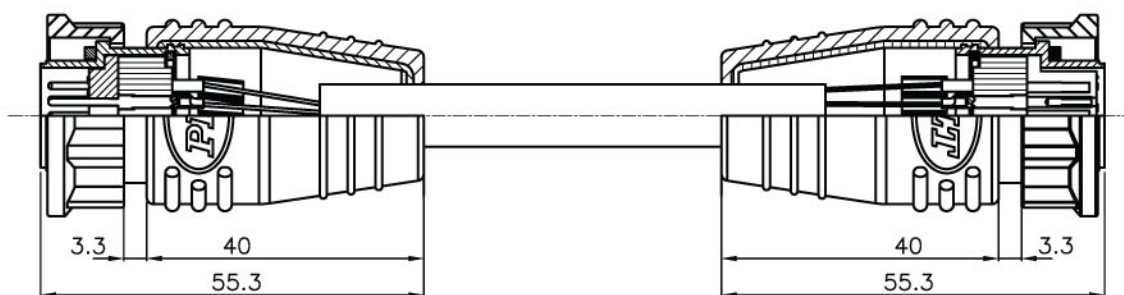
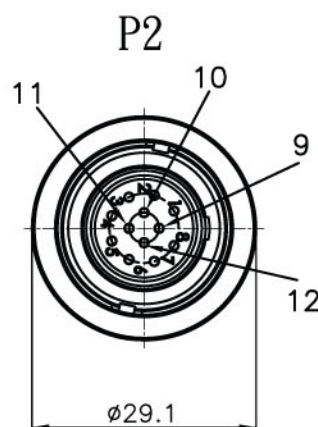
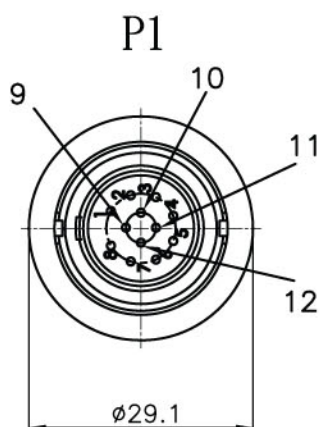
WPM-305A-RM



◆ No Electrical Characteristics	5				
Contacts Configuration 接點方位					
Rated current / voltage 額定電流/電壓	5A / 20A 250V				
Operation limit voltage (AC.V.rms) 操作電壓限制	200				
Withstanding voltage (AC.V.rms) 1 minute 耐電壓1分鐘	1000				
Insulation resistance (MΩ MIN.) at DC 500V 絕緣阻抗	1000				
Contact resistance (mΩ MAX.) at DC 1A 接觸阻抗	3				



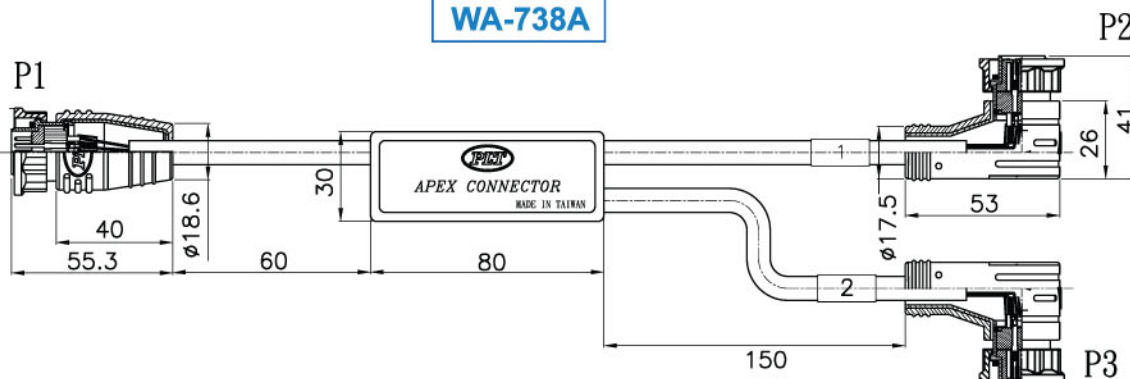
WA-715A

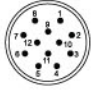



◆ No. Electrical Specification	P1	P2
Contacts Configuration 接點方位		
Withstanding voltage (AC.V.rms) 1 minute 耐電壓1分鐘	$\geq 300V / 1Minute$	$\geq 300V / 1Minute$
Insulation resistance (M Ω MIN.) at DC 500V 絕緣阻抗	$\geq 100M\Omega$ at DC 500V	$\geq 100M\Omega$ at DC 500V

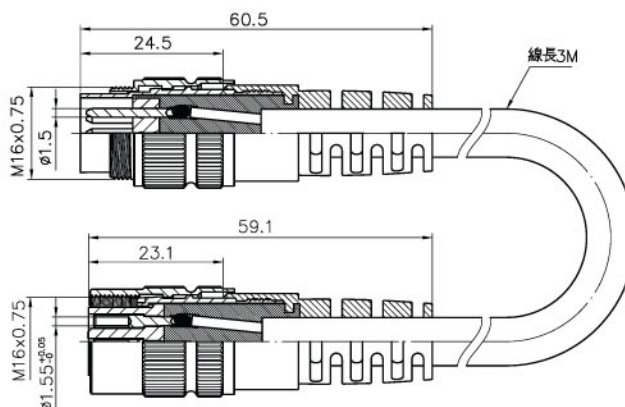



WA-738A



◆ No. Electrical Specification	P1	P2
Contacts Configuration 接點方位		
Withstanding voltage (AC.V.rms) 1 minute 耐電壓1分鐘	≥ 300V / 1Minute	≥ 300V / 1Minute
Insulation resistance (MΩ MIN.) at DC 500V 絕緣阻抗	≥ 100MΩ at DC 500V	≥ 100MΩ at DC 500V

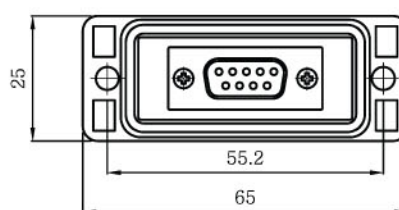
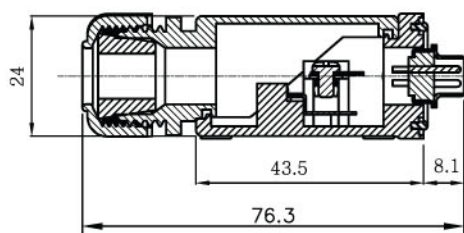
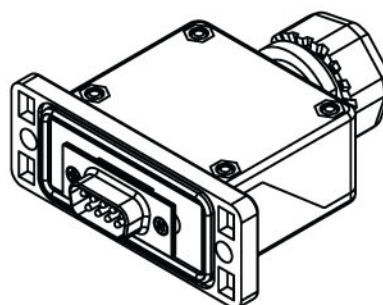
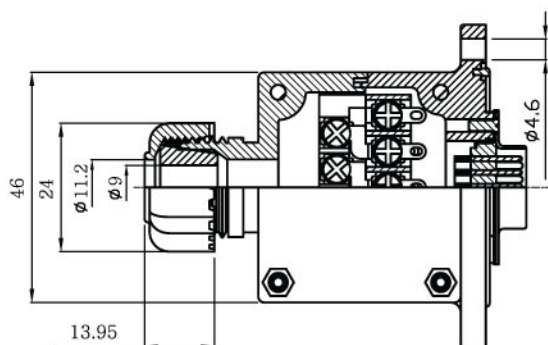
WA-188A



◆ No. of contacts 接點數目	8				
Contacts Configuration 接點方位					
Rated current / voltage 額定電流/電壓	5A 60V				
Withstanding voltage (AC.V.rms) 1 minute 耐電壓1分鐘	300				
Insulation resistance (MΩ MIN.) at DC 500V 絕緣阻抗	100				



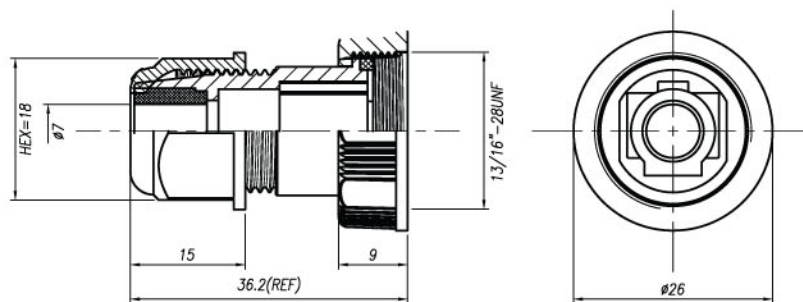
PLP-123-P9



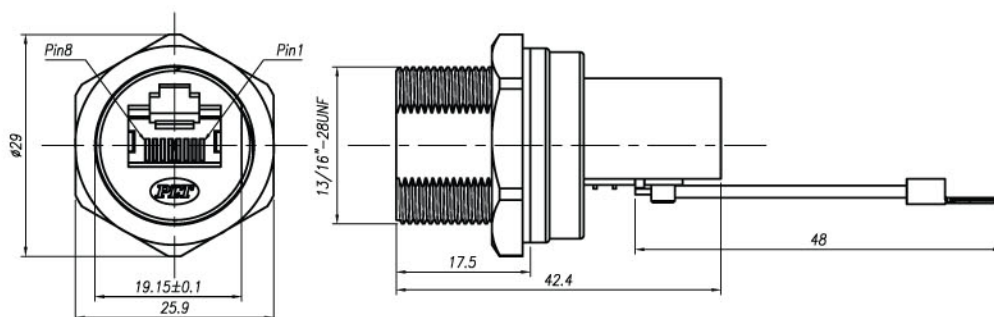
◆ No. of contacts 接點數目	9	15	
Contacts Configuration 接點方位			
Rated current / voltage 額定電流/電壓	3A / AC 350V.	3A / AC 350V.	
Operation limit voltage (AC.V.rms) 操作電壓限制			
Withstanding voltage (AC.V.rms) 1 minute 耐電壓1分鐘	1250	1250	
Insulation resistance (MΩ MIN.) at DC 500V 絕緣阻抗	5000	5000	
Contact resistance (mΩ MAX.) at DC 1A 接觸阻抗	25	25	



PLP-138P8A-R



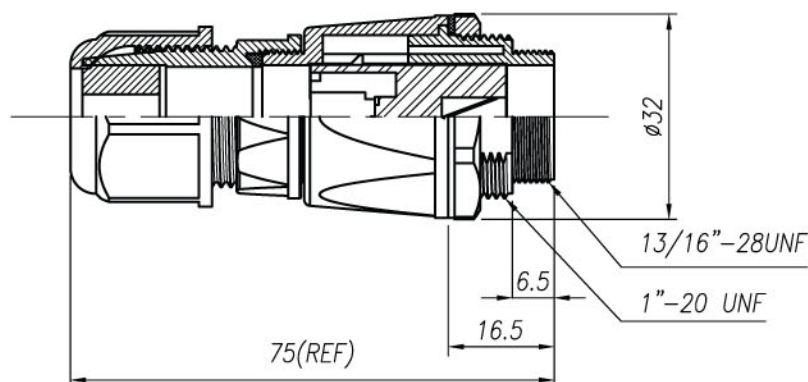
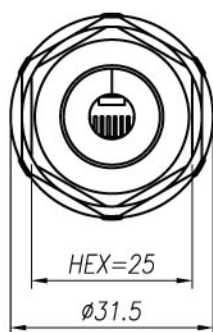
PLP-138R8A-R



❖ No. Electrical Specification		
Rated current / voltage	AC / DC 5V-5mA min. AC / DC 125V-3A max.	
Withstanding voltage (AC.V.rms) 1 minute 耐電壓1分鐘	AC 300V for 1 minute	
Insulation resistance (MΩ MIN.) at DC 500V 絕緣阻抗	500MΩ min. at DC 500V	



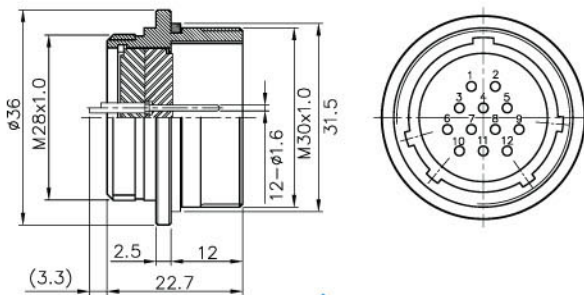
PLP-138AD8A-R



❖ No. Electrical Specification		
Rated current / voltage	AC / DC 5V-5mA min. AC / DC 125V-3A max.	
Withstanding voltage (AC.V.rms) 1 minute 耐電壓1分鐘	AC 300V for 1 minute	
Insulation resistance (MΩ MIN.) at DC 500V 絕緣阻抗	500MΩ min. at DC 500V	



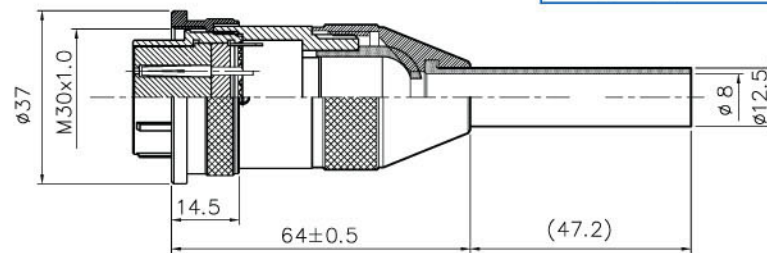
PLS-28-RMA



RM

PF

PLS-28-PFA



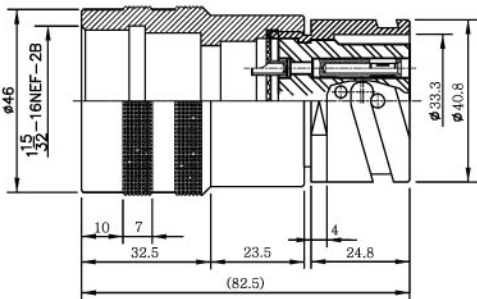
SHELL: STAINLESS STEEL

(不鏽鋼)

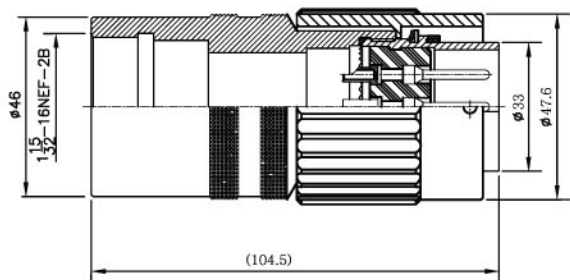
◆ No. of contacts 接點數目	12				
Contacts Configuration 接點方位					
Rated current / voltage 額定電流 / 電壓	10A 250V				
Operation limit voltage (AC.V.rms) 操作電壓限制	125				
Withstanding voltage (AC.V.rms) 1 minute 耐電壓1分鐘	300				
Insulation resistance (MΩ MIN.) at DC 500V 絕緣阻抗	1000				
Contact resistance (mΩ MAX.) at DC 1A 接觸阻抗	3				
Solder inter diameter 焊孔內徑	1.2				



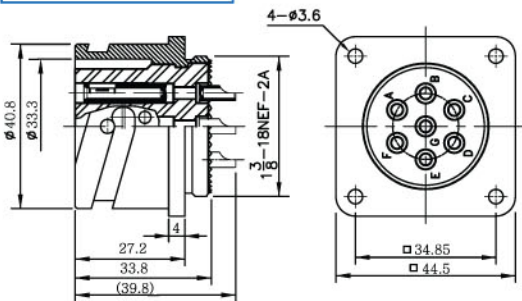
WPS-2407-LF



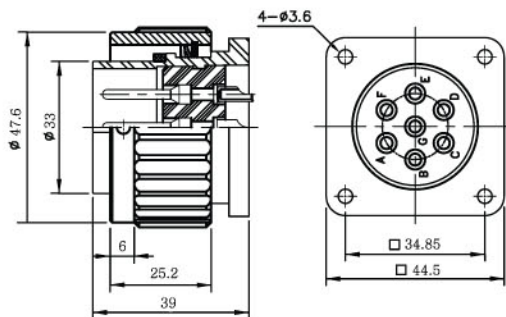
WPS-2407-LM



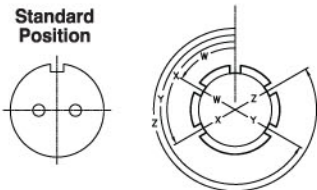
WPS-2407-SF



WPS-2407-SM



Standard Position



In contrast with the standard inserted position. After the guide key of its shell has formed into certain angle, the position changed shall be indicated by the marks W,X,Y,Z. According to the layout of connector, there is difference on the changable angles. Please refer to the instructions of the said table. Furthermore, what the figure has shown is observed from the joining part of the pins.

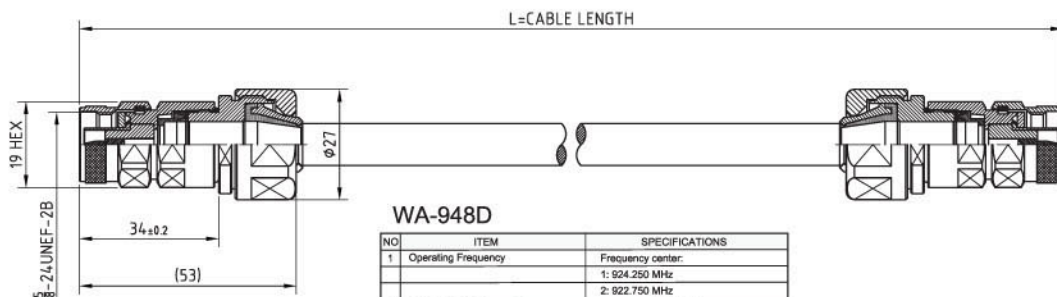
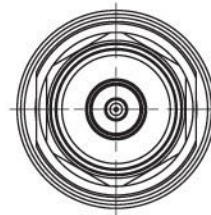
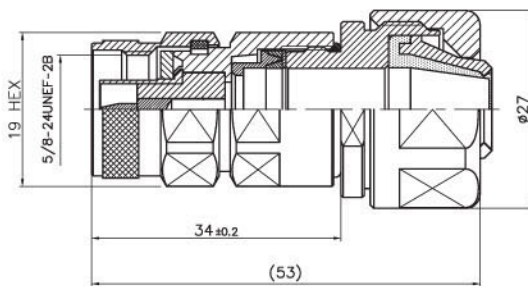
No. ELECTRICAL SPECIFICATION	
Operation voltage (v)	* DC 700 * AC(rms):500
Withstanding voltage	AC 2000V one minute
Test current	22 Amperes
Insulation resistance	5000MΩ min. at DC 500V



N-301P-SXGT



WA-948D



WA-948D

NO.	ITEM	SPECIFICATIONS
1	Operating Frequency	Frequency center: 1: 924.250 MHz 2: 922.750 MHz
2	Connector VSWR	Max 1.35
3	Connector CABLE LOSS	Min -1.5dB
4	Impedance	50Ω

No. ELECTRICAL SPECIFICATION

Voltage rating	AC 500V
Withstanding voltage	AC 1000V one minute
Insulation resistance	1000MΩ min. at DC 500V
Contact resistance	3mΩ max. at DC 1A

Business Scope

APEX



OEM / ODM

- The 1st Production Dept.**
Connector
Military / Waterproof / RF Coaxial / Industrial Series
- The 2nd Production Dept.**
Various Types of Molds
Customized Mold and Machinery Components
Design & Manufacturing
- The 3rd Production Dept.**
Wire Assembly
- The 4th Production Dept.**
Wireless Communication
Antenna / Transceiver / Peripheral Earphone Mic
- The 5th Production Dept.**
Precision Machine Manufacturing
CNC Turning and Milling Compound Lathe /
Precision Hand Arbor Press and
Table Press Manufacturing
- The 6th Production Dept.**
Medical Facilities for Senior Health Care
Wireless Remote Control Patient Care System /
Medical Care On-Call System
- The 7th Production Dept.**
Channels of Distribution for Products Solution



Agent / 代理商

Patent of invention, all rights reserved 專利產品、仿冒必究

 專業製造廠 / Manufacturer
錫鋼精密科技股份有限公司
APEX PRECISION TECHNOLOGY CORP.

地址：24264 新北市新莊區民安西路405號
No.405, Min-an W. Rd., Sinjhuang District, New Taipei City
24264, Taiwan, R. O. C.
Tel: +886-2-2206-8899 Fax: +886-2-2208-0559
<http://www.plt.com.tw> / E-mail: apexmail@plt.com.tw

ISO / TS 16949 全球汽車產業品質管理系統認證
CERTIFIED IN GLOBAL AUTOMOBILE INDUSTRY
ISO 9001~14001 國際品保認證合格廠 · 國防部工業廠商
INTERNATIONAL Q/C CERTIFIED, INDUSTRY CATEGORY SUPPLIER OF M.N.D.



客服專線: +886-2-2206-0237 • 0975-501-968



Professional IPO Service
 **錫鋼爾也富** 倉儲配銷購物網
<http://ec.plt.com.tw>
APEX CONNECTOR CO., LTD.
<http://ec.plt.com.tw>